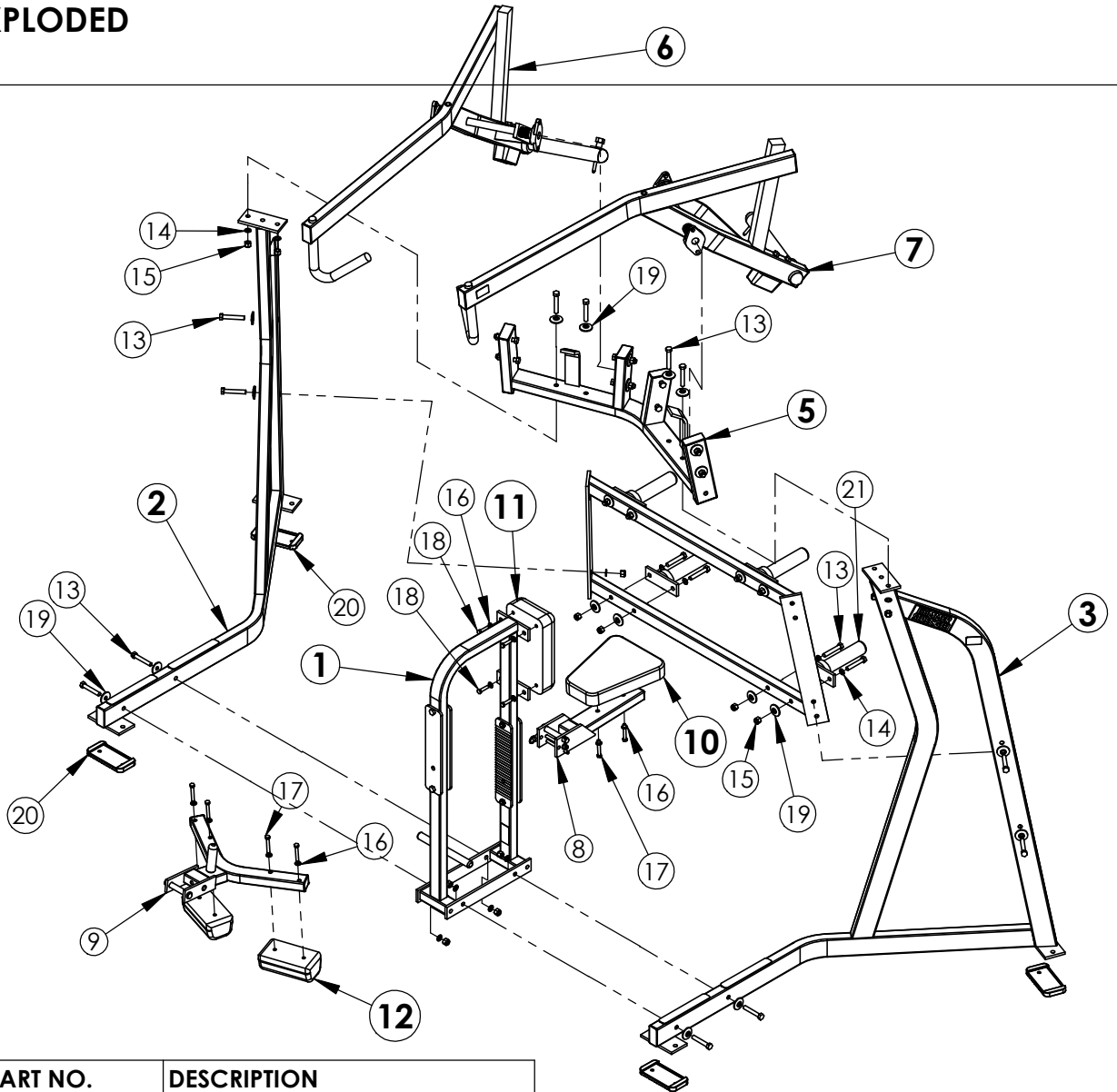


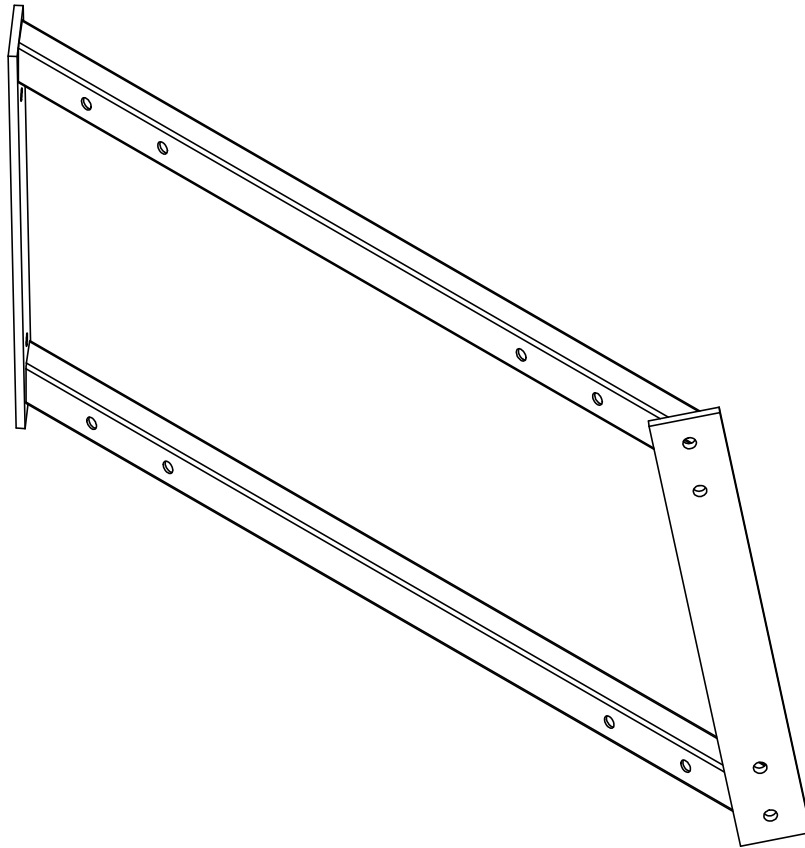
WEIGHT = 369.2 lb
LENGTH = 58"
WIDTH = 56"
HEIGHT = 87"

HAMMER STRENGTH EQUIPMENT ILHR EXPLODED



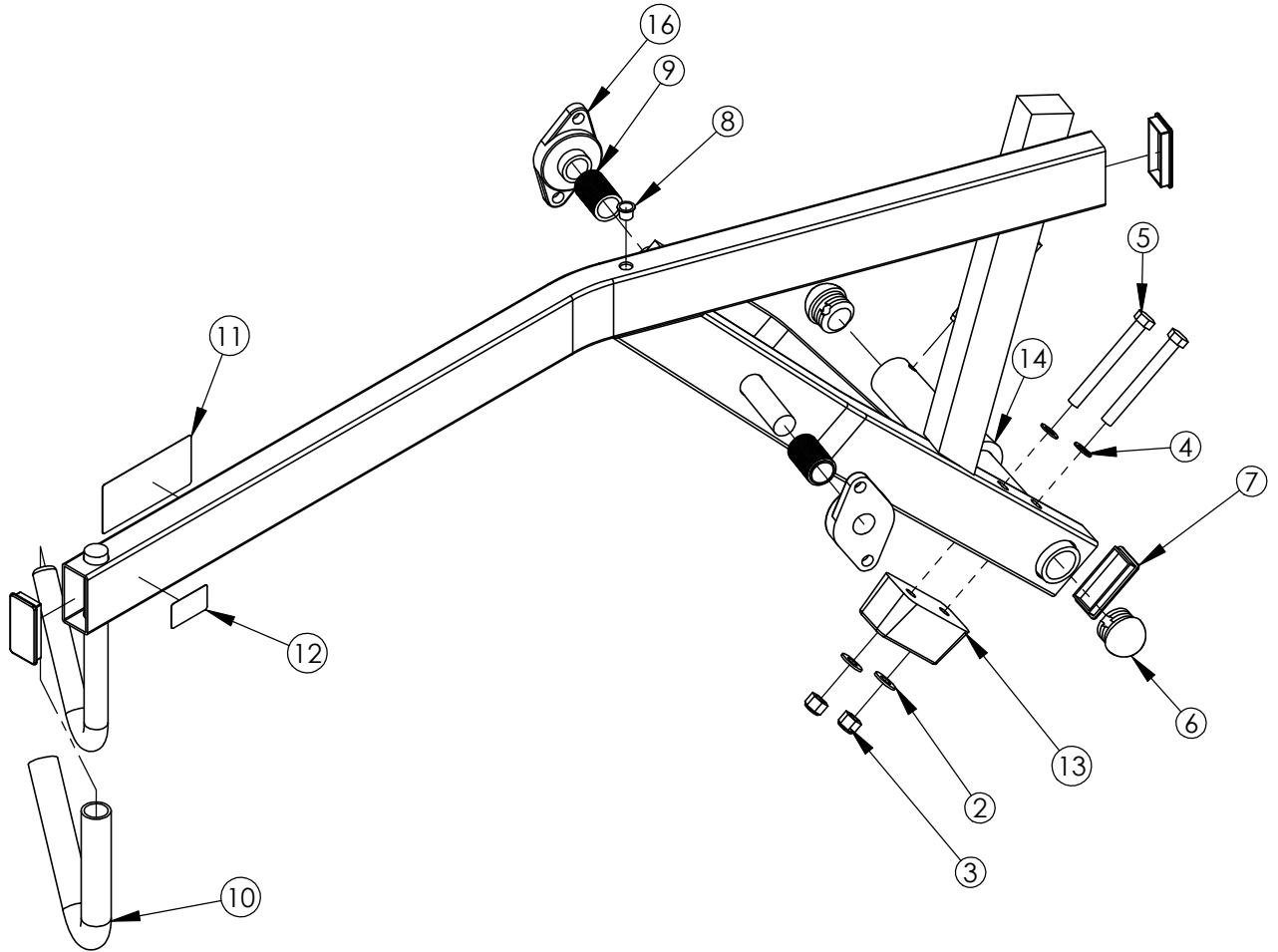
ITEM NO.	QTY.	PART NO.	DESCRIPTION
1	1	ILHR-CST-1	ASSY, ILHR, SEAT MOUNT
2	1	ILHR-CSFR-1	ASSY, ILHR, RSF
3	1	ILHR-CSFL-1	ASSY, ILHR, LSF
4	1	ILHR-BX-1	WLDMT, ILHR, BACK FRAME
5	1	ILHR-CTX-1	ASSY, ILHR, WORKBOX
6	1	ILHR-CMAR-3	ASSY, ILHR, RIGHT MARM
7	1	ILHR-CMAL-3	ASSY, ILHR, LEFT MARM
8	1	CSTD-ST-1	ASSY, STD ST
9	1	CST4-C01	ASSY, STD SEAT 4
10	1	U-12-5	SEAT PAD
11	1	U-ROW	ROW CHEST PAD
12	2	U-4W	KNEE PAD
13	20	HHB.5X3	1/2 X 3 BOLT
14	20	WASH.5STAR	1/2" INTERNAL LOCK WASHER
15	20	NUT.5LOCK	1/2 DIA THICK LOCK NUT
16	10	WASH.375SAE	3/8" SAE FLAT WASHER
17	6	HHB.375X2.5	STEEL BOLT 3/8 X 2.5
18	4	HHB.375X1.5	STEEL BOLT 3/8 X 1.5
19	20	H-BACK-WASH	BACKING WASHER
20	4	MM-9	3 X 6 FLANGE RUBBER SLIPPER
21	4	H-HORN-ASSY	ASSY, WEIGHT HORN

HAMMER STRENGTH EQUIPMENT
ILHR-BX-1, WLDMT, ILHR, BACK FRAME



WEIGHT = 32 lb
LENGTH = 46 1/2"
WIDTH = 22 1/4"
HEIGHT = 2"

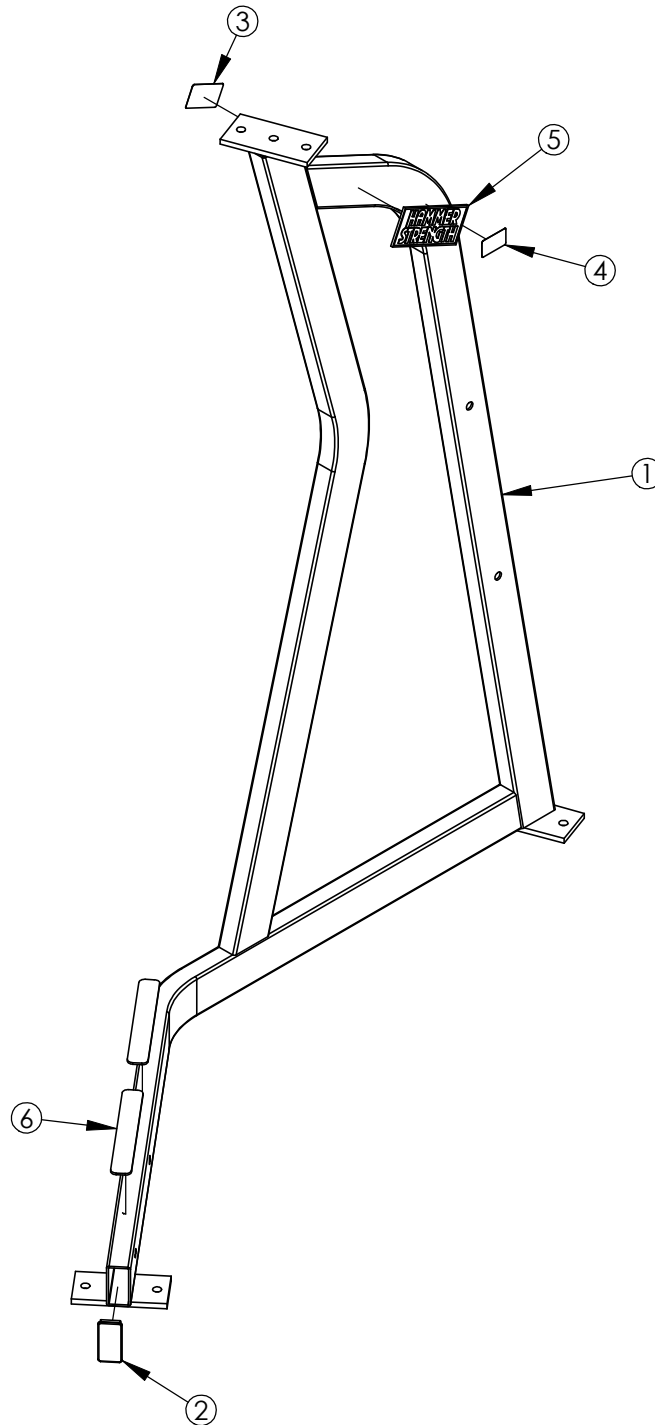
HAMMER STRENGTH EQUIPMENT
ILHR-CMAL-3, ASSY, ILHR, LEFT MARM



ITEM NO.	QTY.	PART NO.	DESCRIPTION
1	1	ILHR-MAL-2	WLDMT, ILHR, LEFT MARM
2	2	WASH.5SAE	1/2" SAE FLAT WASHER
3	2	NUT.5LOCK	1/2 DIA THICK LOCK NUT
4	2	WASH.5STAR	1/2" INTERNAL LOCK WASHER
5	2	HHB.5X4.5	1/2 X 4 1/2 BOLT
6	2	RUBCAP1-2	RUBBER CAP #1
7	3	RC1530-1Q1	CAP:1-1/2 X 3 RECTANGLE PLUG
8	1	H-HPLUG (REG)	9/16IN HOLE PLUG
9	2	ACCORDIAN	SHAFT GUARD
10	1	H-GRIP	HANDLE GRIPS (.938X16)
11	1	8773701	LARGE WARNING HORIZONTAL
12	1	STAY CLEAR	STAY CLEAR DECAL
13	1	H-BUMP-MED	MM2 MEDIUM
14	1	H-RUBRNG	MM5 RING
15	1	SELECTOR PIN-3	SELECTOR PIN 3-IN.
16	2	H-BEAR-SML	SMALL BEARING

WEIGHT = 57.6 LB
 LENGTH = 58"
 WIDTH = 17"
 HEIGHT = 27"

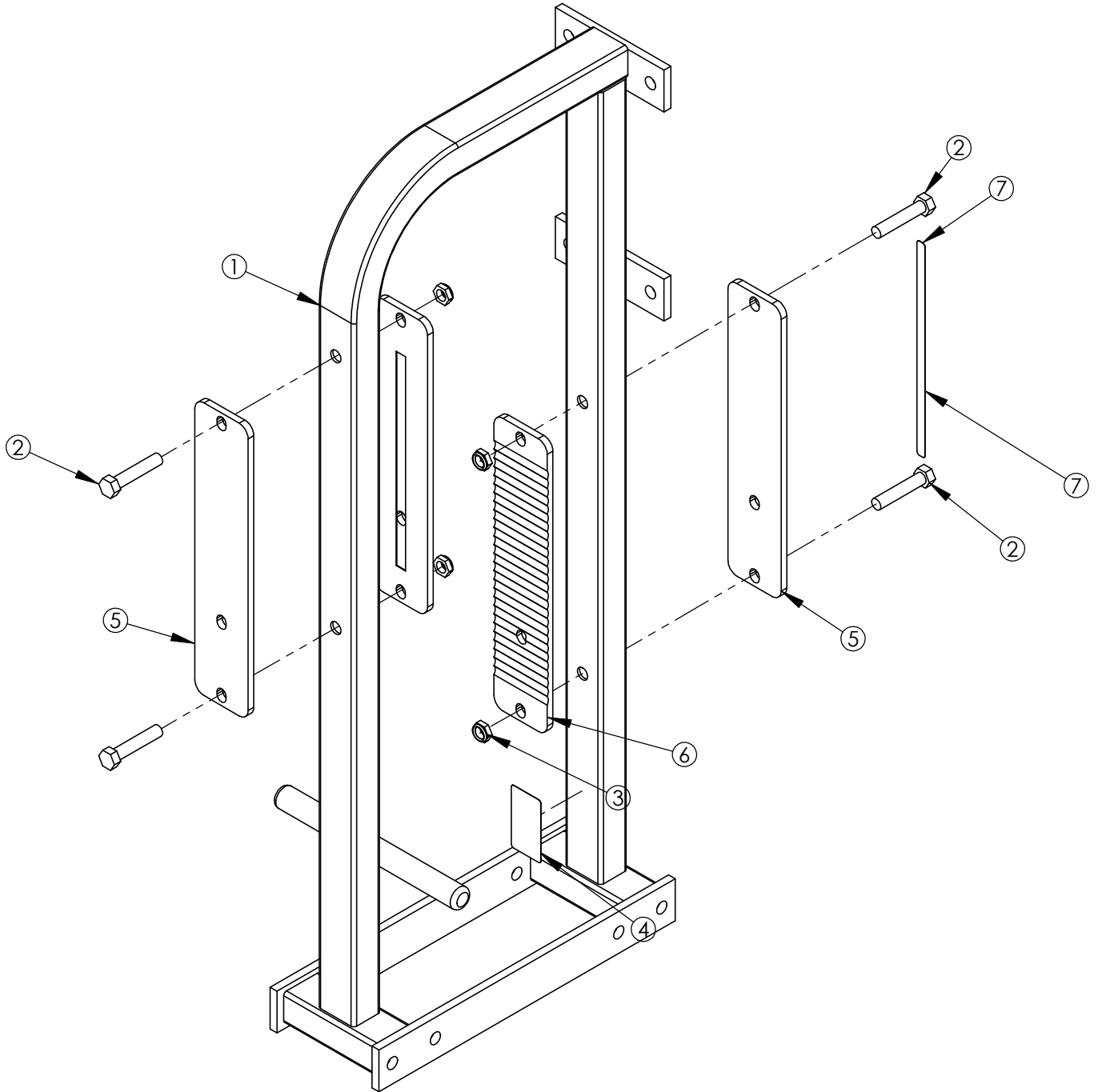
HAMMER STRENGTH EQUIPMENT
ILHR-CSFL-1, ASSY, ILHR, LSF



ITEM NO.	QTY.	PART NO.	DESCRIPTION
1	1	ILHR-SFL-1	WLDMT, ILHR, SFL
2	1	RC1530-1Q1	CAP:1-1/2 X 3 RECTANGLE PLUG
3	1	PATENT	PATENT DECAL
4	1	STAY CLEAR	STAY CLEAR DECAL
5	1	H-NAME PLATE	NAMEPLATE (45156-P)
6	2	NONSKID 1 X 9	PLASTIC NON SKID STRIP 1 X 9

WEIGHT = 60 LB
 LENGTH = 62"
 WIDTH = 14"
 HEIGHT = 64"

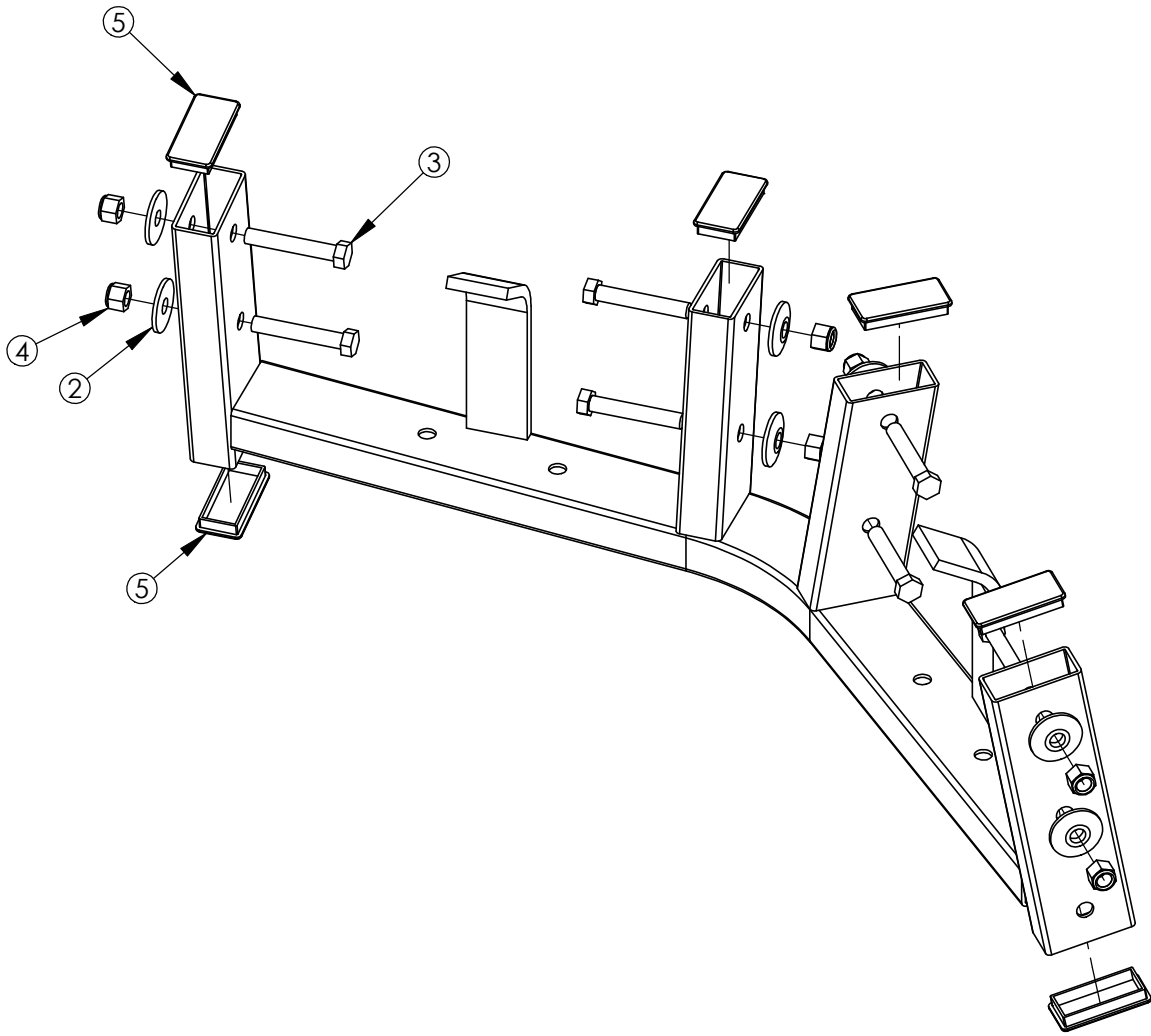
**HAMMER STRENGTH EQUIPMENT
ILHR-CST-1, ASSY, ILHR, SEAT MOUNT**



ITEM NO.	QTY.	PART NO.	DESCRIPTION
1	1	ILHR-ST-1	WLDMT, ILHR, SEAT FRAME
2	4	HHB.5X2.5	1/2 X 2 1/2 BOLT
3	4	NUT.5JAMLOCK	1/2 THIN LOCK NUT
4	1	SERIAL NUMBER	SERIAL NUMBER
5	3	H-SEATRCKS-N	PLASTIC SEAT GUIDES(PP229)NEW)
6	1	H-SEATRCKS-RIB	SEATRACK BACK
7	1	SEAT NUMBER	SEAT ADJ. NUMBER

WEIGHT = 54 LB
LENGTH = 30"
WIDTH = 23"
HEIGHT = 41"

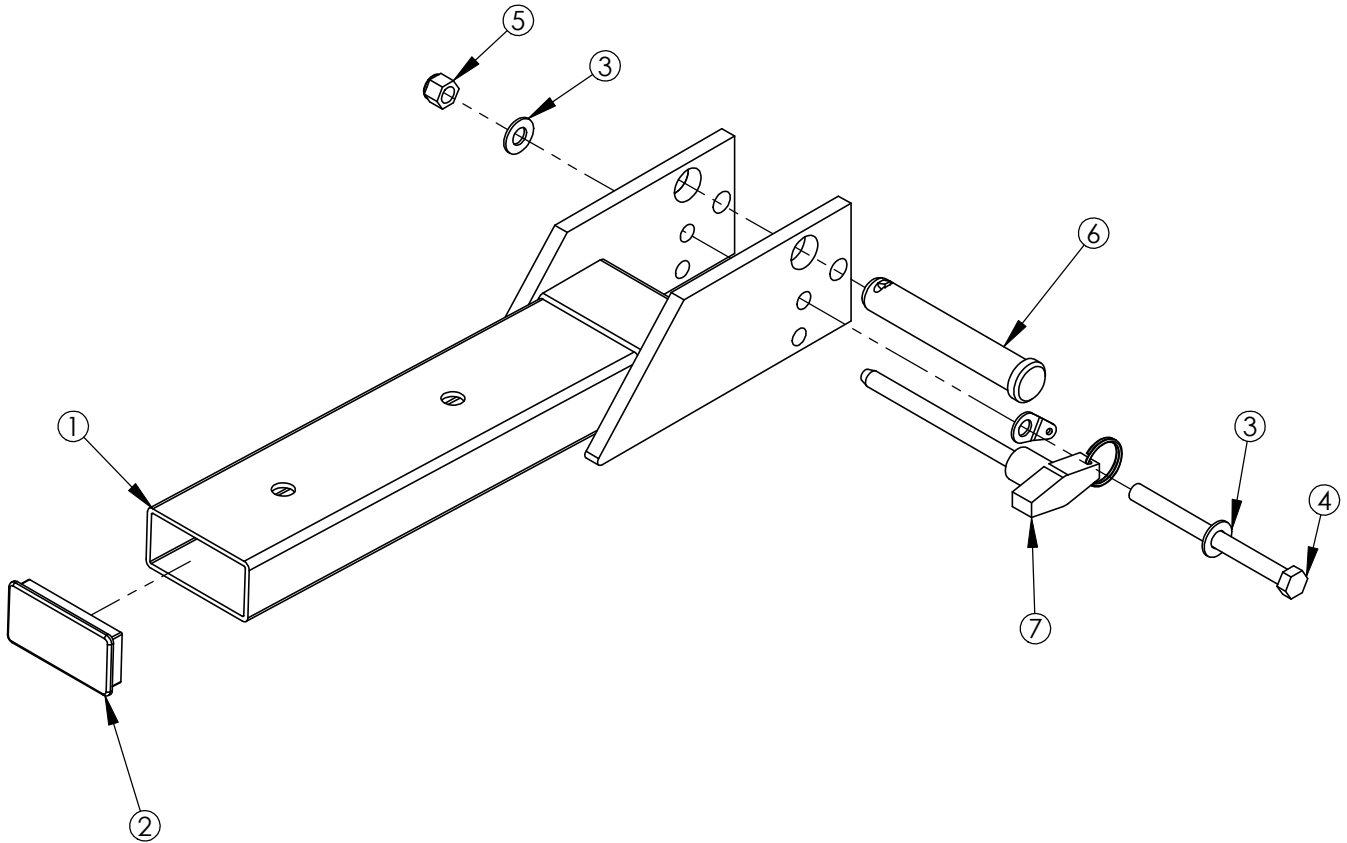
**HAMMER STRENGTH EQUIPMENT
ILHR-CTX-1, ASSY, ILHR, WORKBOX**



ITEM NO.	QTY.	PART NO.	DESCRIPTION
1	1	ILHR-TX-1	WLDMT, ILHR, WORKBOX
2	8	H-BACK-WASH	BACKING WASHER
3	8	HHB.5X3	1/2 X 3 BOLT
4	8	NUT.5LOCK	1/2 DIA THICK LOCK NUT
5	6	RC1530-1Q1	CAP:1-1/2 X 3 RECTANGLE PLUG

WEIGHT = 30 LB
 LENGTH = 11"
 WIDTH = 41"
 HEIGHT = 11"

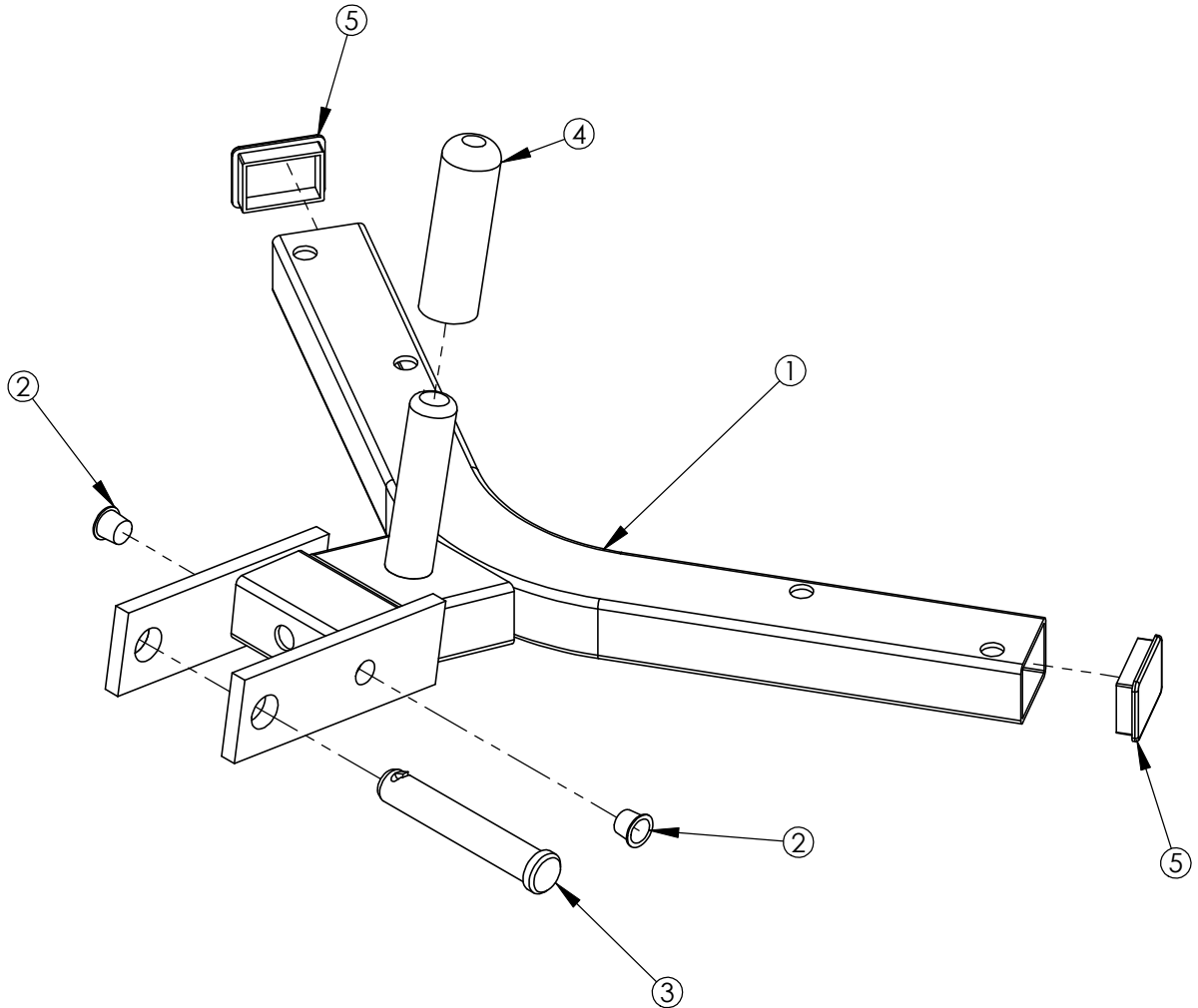
HAMMER STRENGTH EQUIPMENT
CSTD-ST-1: ASSY, STD ST



ITEM NO.	QTY.	PART NO.	DESCRIPTION
1	1	STD-ST	Standard Seat #1
2	1	RC1530-1Q1	CAP:1-1/2 X 3 RECTANGLE PLUG
3	2	WASH.375SAE	3/8" SAE FLAT WASHER
4	1	HHB.375X4.5	STEEL BOLT 3/8 X 4.5
5	1	NUT.375LOCK	3/8 THICK LOCK NUT
6	1	STD SEAT PIN	LONG SEAT PIN (HDADJ)
7	1	SELECTPIN	ASSY, STD SEAT SELECTOR PIN

WEIGHT = 9 lb
 LENGTH = 17"
 WIDTH = 4 3/4"
 HEIGHT = 3"

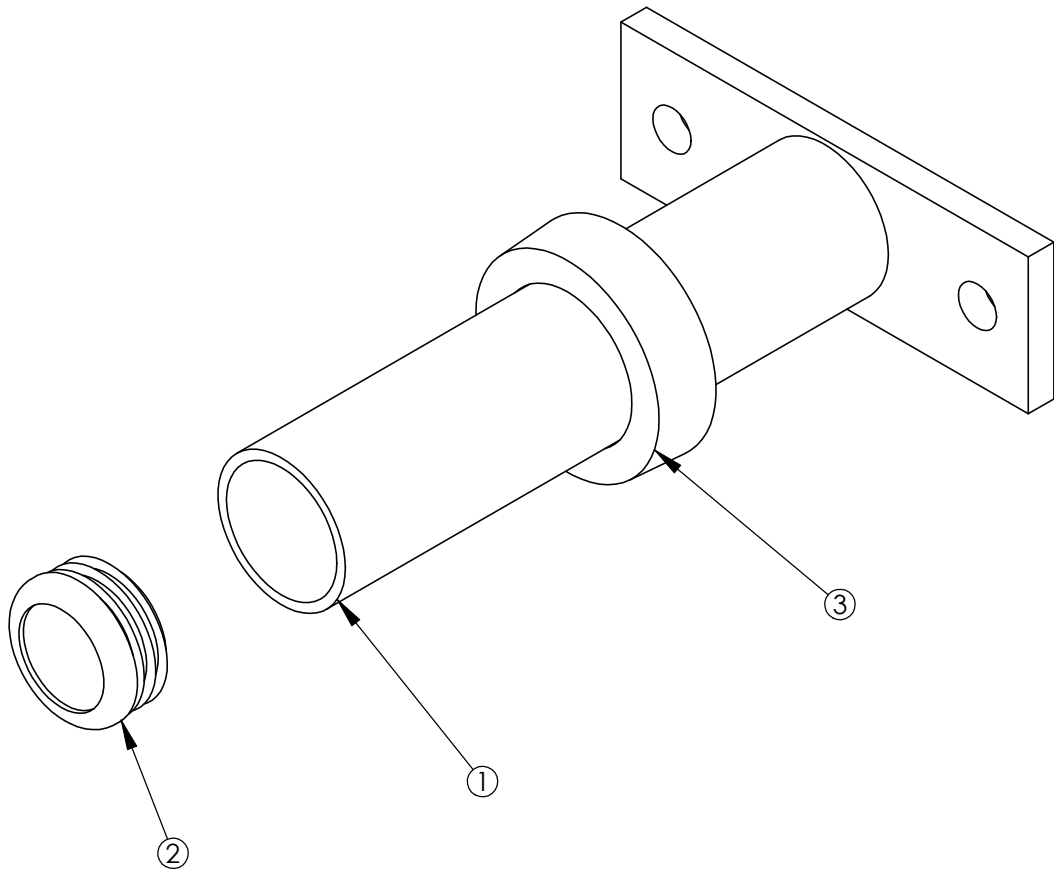
HAMMER STRENGTH EQUIPMENT
CST4-C01: ASSY, STD SEAT 4



ITEM NO.	QTY.	PART NO.	DESCRIPTION
1	1	ST4-C01	STD. SEAT #4
2	2	H-HPLUG (REG)	9/16IN HOLE PLUG
3	1	STD SEAT PIN	LONG SEAT PIN (HDADJ)
4	1	H-GRIP	HANDLE GRIPS (.938X16)
5	2	RC1520-1Q1	CAP:1-1/2 X 2 RECTANGLE PLUG

WEIGHT = 11 lb
 LENGTH = 16"
 WIDTH = 22 1/4"
 HEIGHT = 6"

HAMMER STRENGTH EQUIPMENT
H-HORN-ASSY: WEIGHT HORN ASSEMBLY



ITEM NO.	QTY.	PART NO.	DESCRIPTION
1	1	H-HORN	WLDMT, WEIGHT HORN
2	1	8078001	CAP, END 1.75 DIA RD 14-20 GA
3	1	H-RUBRNG	MM5 RING

WEIGHT = 3 1/4 lb
 LENGTH = 8 5/8"
 WIDTH = 6"
 HEIGHT = 3"